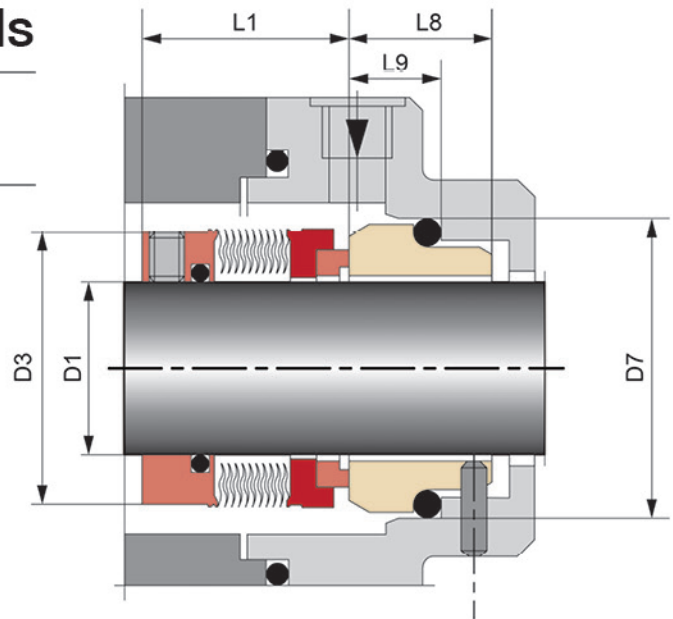


Welded Metal Bellows Seals

DS-85N



Applications

- For use with extremely corrosive chemicals, chemical, and refinery processing pump applications.
- For process services requiring corrosion resistance.

The DS-85N seal is the ideal for general purpose applications. Its Alloy 20, Hastelloy C, Titanium, AM 350 bellows provide corrosion resistance in a board rang of services. Its cost-effective design, combined with a reliable performance.

Standard Materials

- Metal Bellows : Alloy 20, Hastelloy C, Titanium, AM 350
- Adaptive Hardware: Alloy 20, Hastelloy C, Titanium, SUS 316
- Rotary Face : Silicon Carbide/ Tungsten Carbide/Carbon
- Stationary Face : Silicon Carbide/ Tungsten Carbide/Carbon
- Secondary Seals : Fluoroelastomer/ Per-Fluoroelastomer/Chemraz

*(Other configuration of materials also available on request)

Operating Conditions

- Max. Operating Pressure : 25 kg/cm² *
- Temperature Range : -40 to 220 ° *
- Max. Rubbing Speed : 20 m/s

*(Depend on combination of materials)

Design Features/Benefits

- Results in even stress distribution with benefits of greater strength and higher rate of flexibility: seal is bi-rotational and inherently pressure balanced.
- Is resistance to clogging and therefore ideal for slurries and fibrous liquids. Similarly, seal unit is easy to clean and sterilize in place.
- Ensures a simple-to-fit seal, with superior heat dissipation paths, Seal unit is reliable and does not wear the shaft.

Dimensional Data (mm.)

Seal size (D1) (mm.)	D3	D7	L1	L8	L9
16	30.0	27	32.5	17.5	10.0
18	32.0	33	30.5	14.0	11.5
20	33.5	35	30.5	14.0	11.5
22	36.5	37	30.5	14.0	11.5
24	39.0	39	28.5	19.5	11.5
25	39.6	40	28.5	19.5	11.5
28	42.8	43	31.0	19.5	11.5
30	45.0	45	31.0	19.5	11.5
32	46.0	48	31.0	19.5	11.5
33	48.0	48	31.0	19.5	11.5
35	49.2	50	31.0	19.5	11.5
38	52.3	56	31.0	22.0	14.0
40	55.5	58	31.0	22.0	14.0
43	57.5	61	31.0	22.0	14.0
45	58.7	63	31.0	22.0	14.0
48	61.9	66	31.0	22.0	14.0
50	65.0	70	32.5	23.0	15.0
53	68.2	73	32.5	23.0	15.0
55	70.0	75	32.5	23.0	15.0
58	71.7	78	37.5	23.0	15.0
60	74.6	80	37.5	23.0	15.0
63	79.0	83	37.5	23.0	15.0
65	84.1	85	37.5	23.0	15.0
68	87.3	90	34.5	26.0	18.0
70	87.3	92	42.0	26.0	18.0
75	95.0	97	42.0	26.0	18.0
80	98.4	105	41.8	26.2	18.2
85	104.7	110	41.8	26.2	18.2
90	111.0	115	46.8	26.2	18.2
95	114.0	120	47.8	25.2	17.2
100	117.4	125	47.8	25.2	17.2

* Other sizes are available upon request.