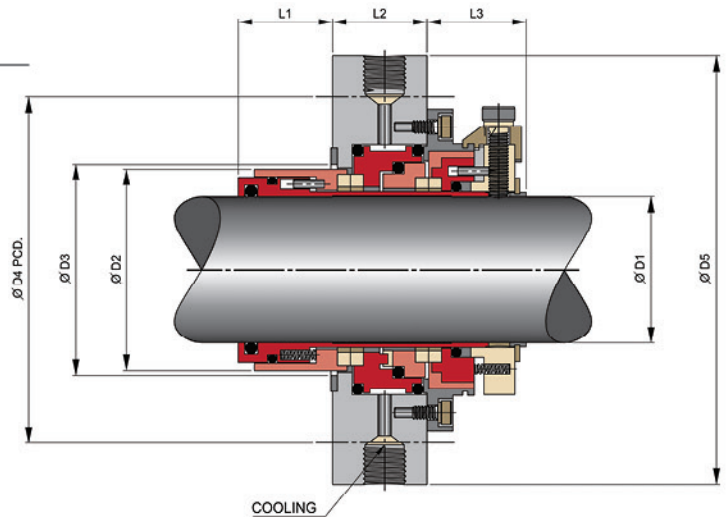
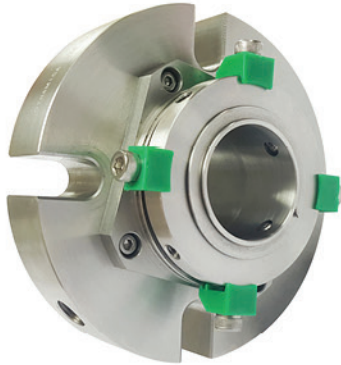


Elastomer O-Ring Seals

DS-902



Applications

- For use in pumps, compressors and other rotary shaft equipment.

Operating Conditions

- Max. Operating Pressure : 20 kg/cm² *
- Temperature Range : -15 to 200 °
- Max. Rubbing Speed : 25 m/s
*(Depend on combination of materials)

Design Features/Benefits

- Double cartridge seal configuration. Easy to install and safety operation.
- Multiple springs exert even closing force on seal faces. Ensure even loading of seal face and compensates for acceptable shaft misalignment.
- Springs are isolated from liquid rich in solid impurity.

Standard Materials

- Metal Parts : SUS 316
- Spring : SUS 316
- Rotary Face : Silicon Carbide/
Tungsten Carbide
- Stationary Face : Silicon Carbide/
Tungsten Carbide/Carbon
- Secondary Seals : Fluoroelastomer/Nitrile/
Ethylene Propylene

*(Other configuration of materials also available on request)

Dimensional Data (mm)

Seal size (D1) (mm)	D2	D3	D4	D5	L1	L2	L3	d
20	37.0	43.0	77.0	90.0	22.0	21.0	26	11
22	39.0	45.0	79.0	99.0	27.0	21.0	26	11
24	41.0	47.0	81.0	99.0	27.0	21.0	26	11
25	42.0	48.0	82.0	100.0	27.0	21.0	26	11
28	45.0	51.0	85.0	101.6	27.0	21.0	26	11
30	48.0	53.0	89.5	112.0	27.0	21.0	26	11
35	54.0	60.0	102.0	123.0	27.0	21.0	28	11
38	56.0	62.0	105.0	127.0	27.0	23.0	28	11
40	58.0	65.0	112.5	137.0	27.0	24.0	31	14
45	63.0	70.0	124.0	145.0	27.0	26.5	31	14
50	68.0	75.0	124.0	145.0	27.0	26.5	31	14
55	73.0	80.0	130.0	152.0	27.0	26.5	31	14
60	79.0	85.0	135.0	160.0	30.0	26.5	31	14

* Other sizes are available upon request.

Thai Industrial Business Co., Ltd.

Tel : +66 (0) 2 102 0896
 Fax : +66 (0) 2 102-0897
 E-mail : info@tib-group.com, sales@tib-group.com

A part of Thai Industrial Business Group
 www.tib-group.com

Copyright © Dynamica Engineering Co.,Ltd. All rights reserved.